

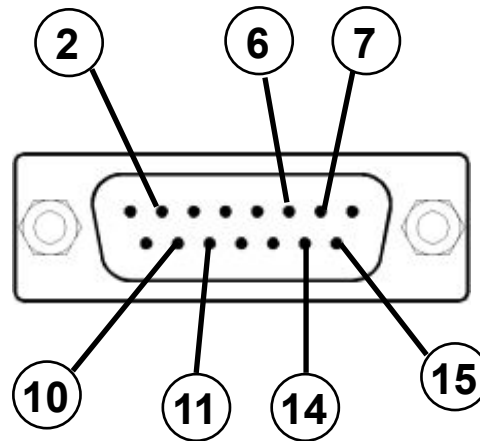


DB15 Pin-Outs

If your Alicat Instrument was ordered with a DB15 connection, please be sure to reference the appropriate pin-out diagram.

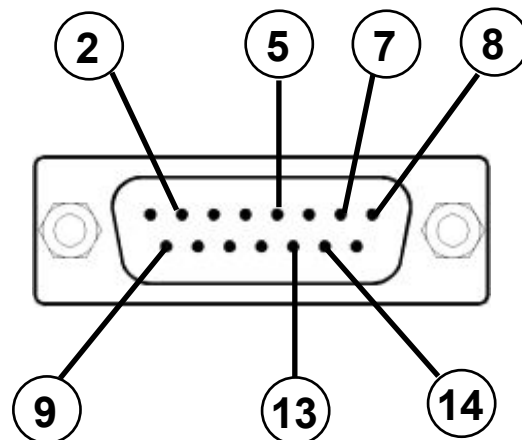
DB15H Pin-Out

Pin Number	Function
6	Signal Out
7	Ground
11	Supply
14	Tare (meters) Set-Point (controllers)
10	Secondary Out
2	RS-232 RX RS-485 -
15	RS-232 TX RS-485 +



DB15K Pin-Out

Pin Number	Function
2	Signal Out
5	Ground
7	Supply
8	Tare (meters) Set-Point (controllers)
9	Secondary Out
13	RS-232 RX RS-485 -
14	RS-232 TX RS-485 +



Note: The above pin-outs are correct for units with a **DB15H** or **DB15K** pin-out. If your unit is marked **DB15**, you must use the correct pin-out (see the appropriate diagram).